

Profile post installation

3.01 GRADING

The ground shall be graded to an easy even slope all along the length of the area where the fence is to be installed.

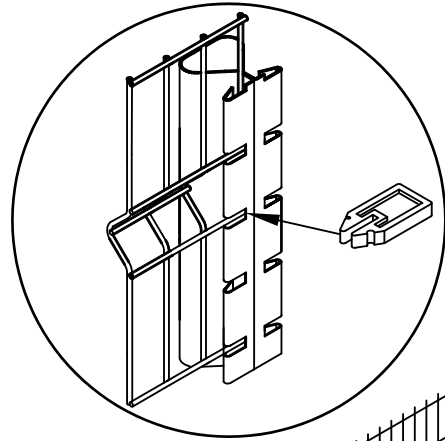
3.02 Installation

Install the fence along the specified area. The fence shall be installed a distance of minimum of 30 mm (1-1/4 in) and maximum of 50 mm (2 in) above the ground surface.

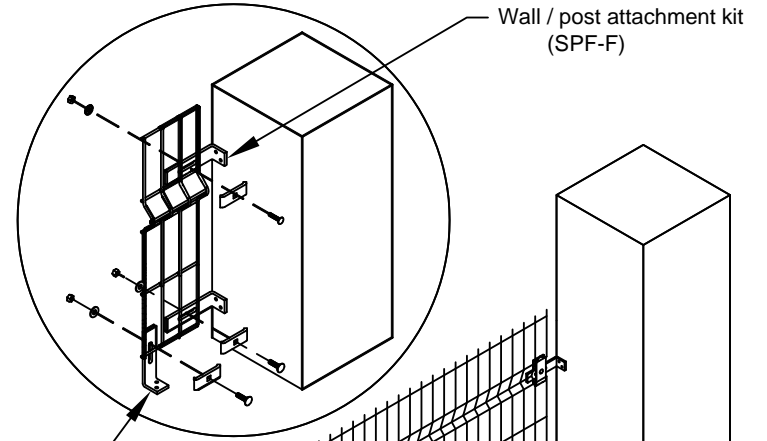
Insert all the post vertically at its proper height. The post needs to be a minimum of 460 mm (18 in) in concrete. Once the concrete is set, the mesh section is then hooked on the post and held in place with 2 tensioning devices. The second post, placed in the hole pre-filled with concrete is then hooked onto the other side of the mesh sections. The end section is fixed with two tensioning devices and held until the concrete sets. The procedure continues until completed.

When any post or wire mesh section is field cut or trimmed for fit, a zinc rich primer must be applied to the exposed ends; after an Omega touch-up paint matching the proper color shall be used.

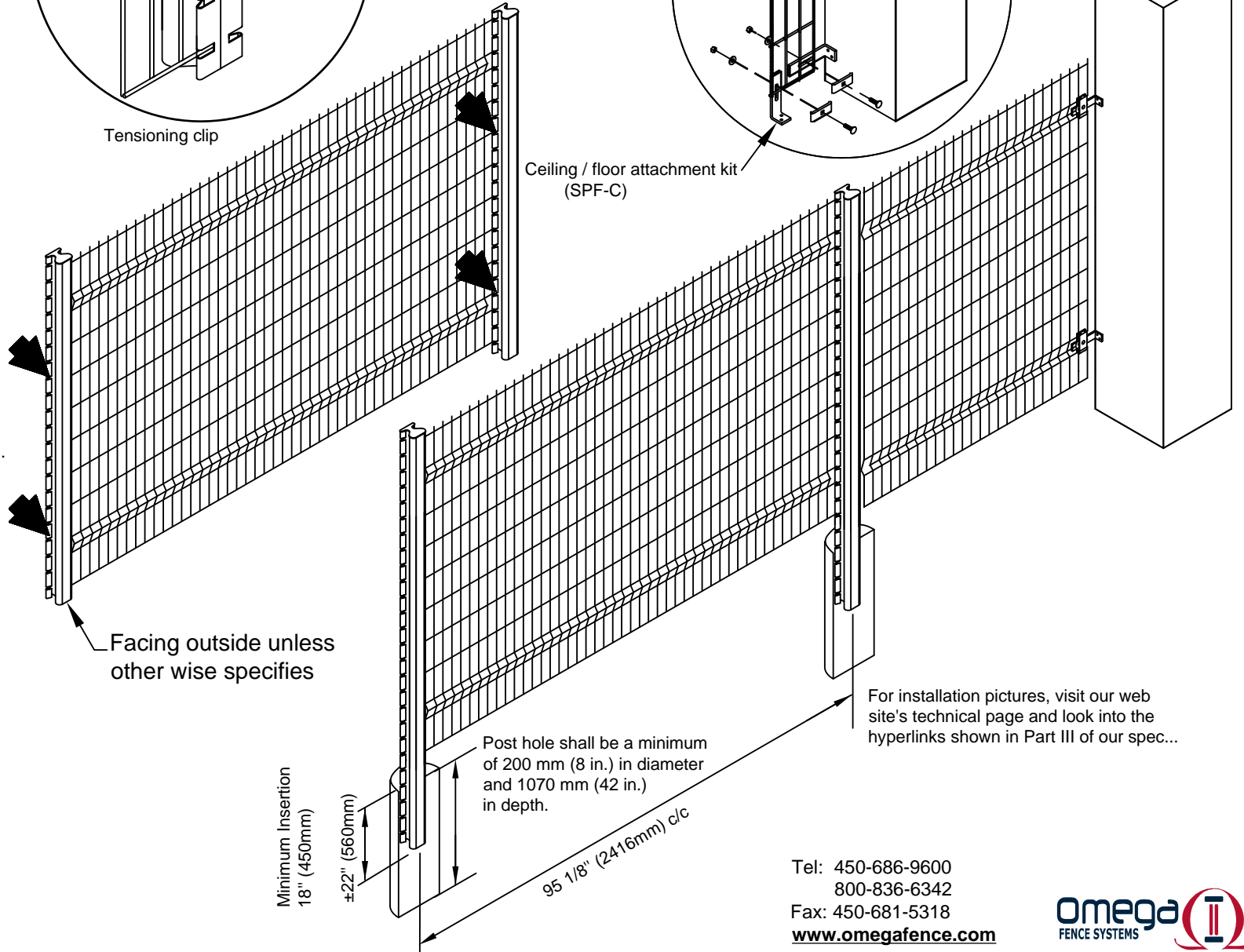
The mesh shall be installed with the folds facing outwards and spikes will be set according to owners instructions; up or down.



Tensioning clip



Wall / post attachment kit (SPF-F)



Minimum Insertion
18" (450mm)

22" ±
560mm

Post hole shall be a minimum
of 200 mm (8 in.) in diameter
and 1070 mm (42 in.)
in depth.

95 1/8" (2416mm) c/c

For installation pictures, visit our web
site's technical page and look into the
hyperlinks shown in Part III of our spec...