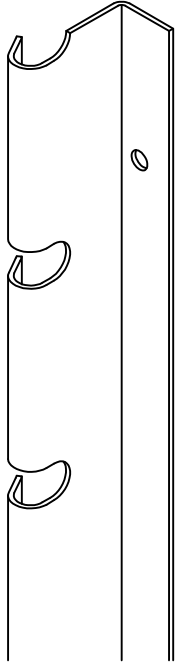
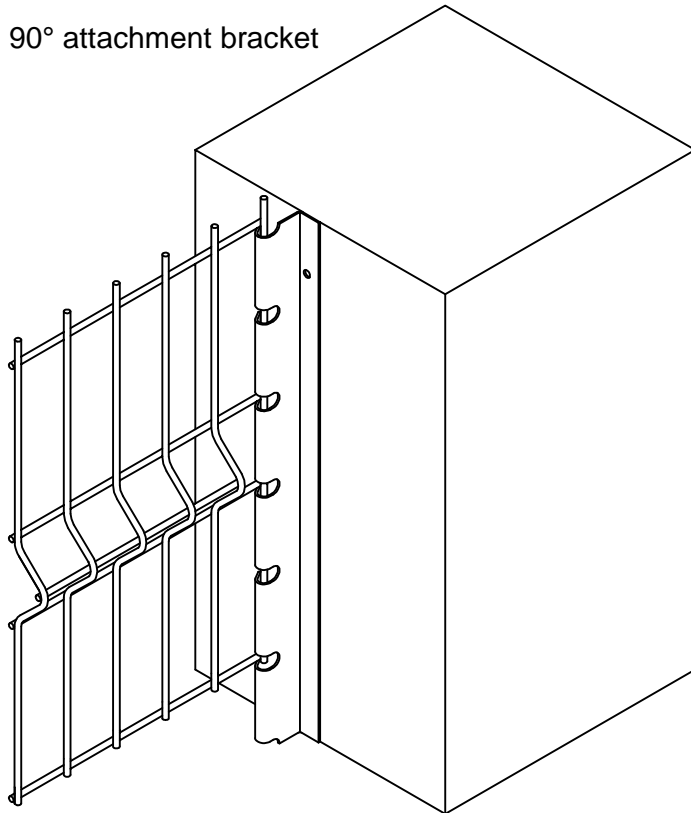


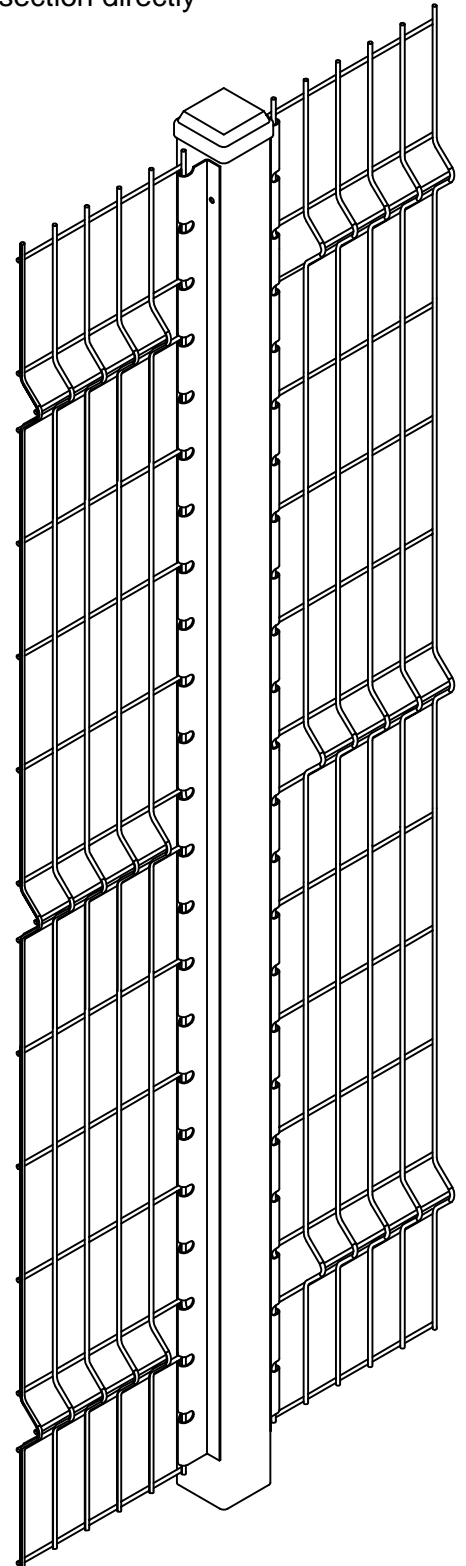
Omega 90° attachment bracket is used for attaching an Omega mesh section directly to a wall (pillar, brick, concrete, wood, etc.) or to a square gate post.



Omega 90° attachment bracket



Omega 90° attachment bracket
attached to a brick wall



Omega 90° attachment bracket
attached to a post